

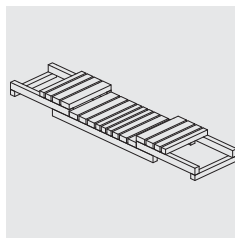
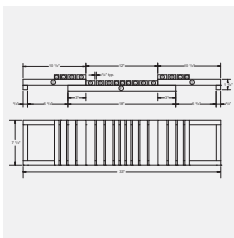
BATHTUB CADDY

CONSTRUCTION PLAN



Difficulty level: **T** | EASY

Completion time: **Less than 3 hours**



BATHTUB CADDY

Keep bath items handy with this practical and stylish caddy rack. This plan is for a rack measuring 7 1/2" x 33", which can easily be adapted to fit the width of your tub.

Stops at either end prevent the rack from slipping. Though this model is made from slats of varying widths, you may like personalize yours by using slats of all one width or by changing their layout.

This ultra-simple project uses a single plank of birch, which is cut along its length on a table saw to make several strips of varying widths.

IMPORTANT NOTE:

Do not sit on the caddy or overload it with heavy objects. Never use it to hold electric or electronic (even battery-powered) items.



TOOLS AND MATERIALS NEEDED

TOOLS

- > Table saw
- > Driver drill
- > 1/8" drill bit
- > Countersink drill bit for No. 8 screws
- > Pencil
- > Measuring tape

MATERIALS

- > 1 yellow-birch board, 3/4" x 6" x 72"
- > 1 1/2" No. 8 screws
- > 2 1/2" No. 8 screws
- > Carpenter's glue

BEFORE ASSEMBLY

CUTTING LIST

Cut the birch board lengthwise into strips as follows: two strips x 1" wide, one x 3/4" wide, one x 1 1/4" wide and one x 1 1/2" wide. Sand the edges smooth as needed.

Birch strip - 1 1/2"

PIECES	QUANTITY	WIDTH (")	LENGTH (")
A SLAT	4	1 1/2	7 1/2

Birch strip - 1 1/4"

PIECES	QUANTITY	WIDTH (")	LENGTH (")
B SLAT	5	1 1/4	7 1/2

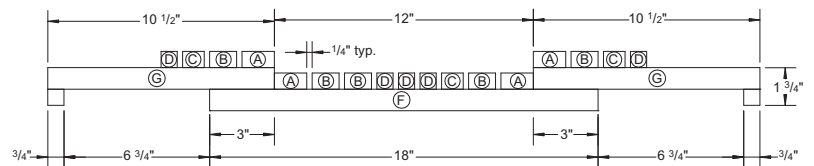
Birch strip - 3/4"

PIECES	QUANTITY	WIDTH (")	LENGTH (")
D SLAT	5	3/4	7 1/2
E STOP	2	3/4	7 1/2

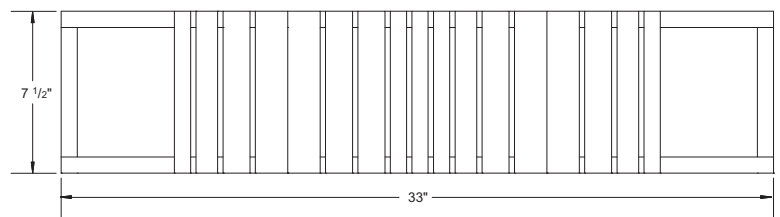
Birch strip - 1"

PIECES	QUANTITY	WIDTH (")	LENGTH (")
C SLAT	3	1	7 1/2
F BRACKET	2	1	18
G BRACKET	4	1	10 1/2

ELEVATIONS



Front view

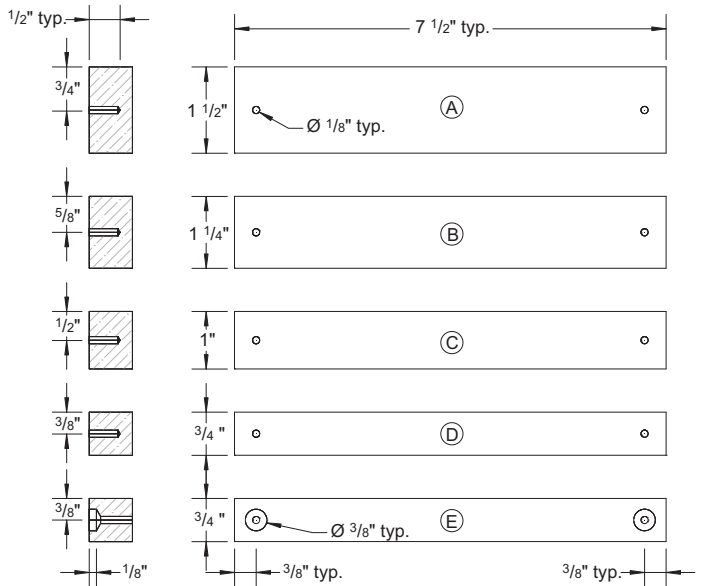


Top view

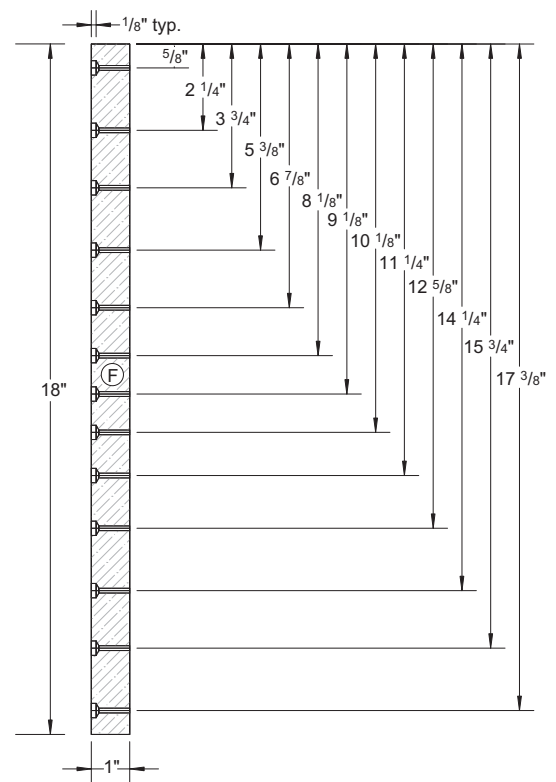
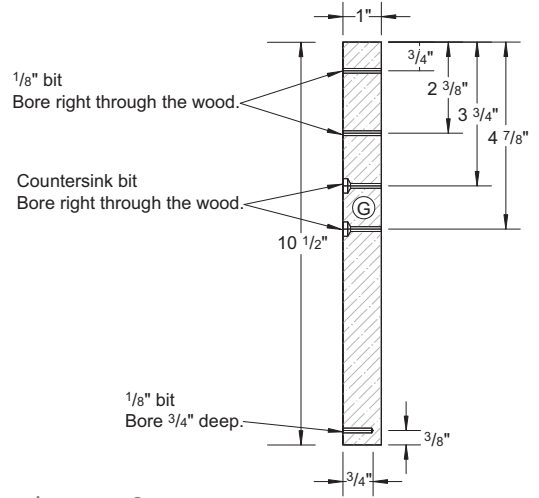
BATHTUB CADDY

PREPARATION

- Using the regular $\frac{1}{8}$ " bit, drill pilot holes $\frac{1}{2}$ " deep in slats A, B, C and D, $\frac{3}{8}$ " from each end and in the very centre.
- Using the countersink bit, drill pilot holes in stops E, $\frac{3}{8}$ " from each end and in the very centre, this time boring right through the wood.
- Using the countersink bit, drill pilot holes in brackets F, boring right through the wood, following the measurements in the illustration beside.



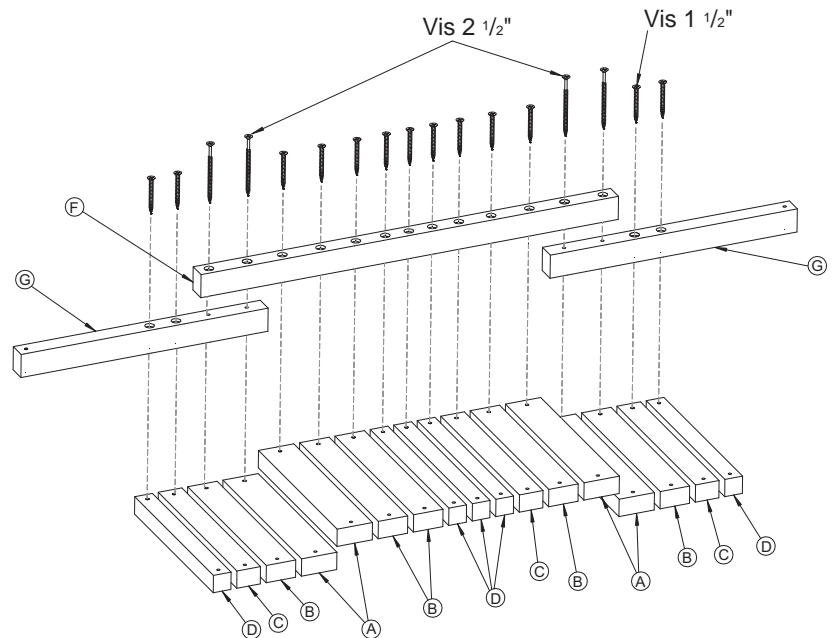
- Bore the holes in brackets G following the measurements shown in the illustration below and using the appropriate drill bit.



BATHTUB CADDY

ASSEMBLY

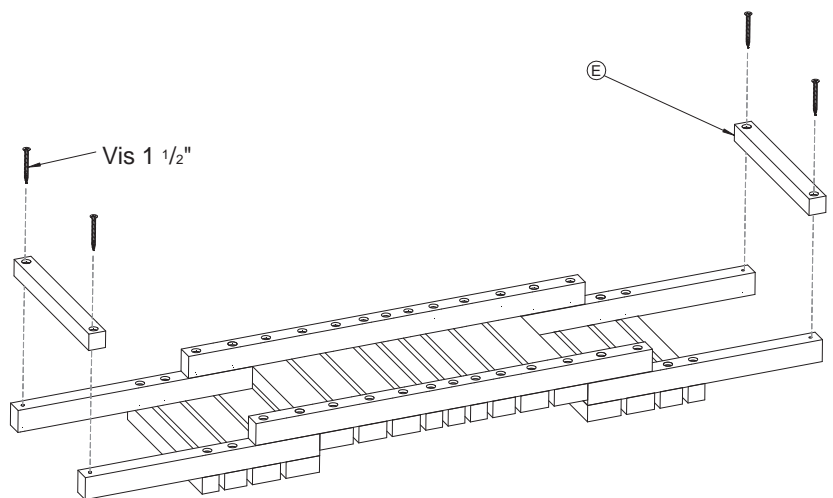
Glue all the parts first before screwing them together.



- 5 Fasten two brackets G to bracket F (2 1/2" screws), screwing through the first two holes at each end of F and the two corresponding holes at the end of G, as shown. Do not tighten the screws fully. Assemble the second bracket in the same way.

- 6 Screw slats A, B, C and D to the brackets (1 1/2" screws) in the order shown in the illustration above. Do not over-tighten or the wood may split.

- 7 Screw stops E to the ends of the brackets (1 1/2" screws).



- 8 Varnish to protect the wood from water and moisture.

Now simply place your new birchwood caddy over the bath, arrange candles on it, turn down the lights and soak to your heart's content!

