

**PROJECT****2****WOODWORKS FOR THE INTERMEDIATE  
BEDSIDE TABLE**

This bed side table is the perfect size for any bedroom, or it can be used in a living room as an end table. While it's of fairly straight forward construction, it will give you experience in design, roughing out stock, squaring, jointing and two-step finishing systems, in both traditional and contemporary decorating colors.

**TOOLS REQUIRED:**

- Jointer
- Planer
- Table saw
- Band saw
- Miter box
- Router table
- Drill press
- Dado blade
- 3/8" drill bit
- 9/64" drill bit
- Doweling jig or biscuit joiner
- Pencil
- Tape measure
- 3/8" roundover bit
- Wood glue
- #6 X 1-5/8" drywall screws
- High quality brush
- Clean cloths

**MATERIALS REQUIRED:**

Item	Number Required	Finish Dimensions	Rough Dimensions
Top	one	3/4" X 12" X 18"	7/8" X 13" X 19"
Shelf	one	3/4" X 10" X 16"	7/8" X 11" X 17"
Long rail	two	3/4" X 2" X 12-1/2"	7/8" x 2-1/2" X 13-1/2"
Short rail	two	3/4" X 2" X 6-1/2"*	7/8" X 2-1/4" X 7-1/2"
Leg	four	1-1/2" X 1-1/2" X 18-1/4"	N/A ***

\*Optional: Instead use one 7/8" X 2-1/4" X 17" piece and cut in half (see RAILS section of PROCEDURE, below).

\*\*Hardwood is recommended, but the project can be done with softwood.

\*\*\*3/4" thick finished stock faceglued together to make 1 1/2" thick x 1 1/2" wide legs.

**FINISHING PRODUCTS:**

MINWAX® PASTELS™ Wood Stain and MINWAX POLYCRYLIC® Protective Finish  
MINWAX Wood Finish and MINWAX Fast-Drying Polyurethane

**OPTIONAL ITEM:**

MINWAX Wood Conditioner

**PROCEDURE:****I. Top and Shelf**

1. Lay out rough dimensions of all parts on wood. \* All pieces are to be laid out and checked by the instructor before any cutting is done.
2. Cut pieces to rough dimension lengths. Put your name on all pieces.
3. Joint one edge of each piece.
4. Cut and glue pieces edge to edge to make the top. (Glue oversize.)
5. Cut and glue pieces edge to edge to make the shelf. (Glue oversize.)
6. Let glue cure overnight.
7. Plane to 3/4" thick. \* If you started with 3/4" stock, keep it as thick as possible.
8. Cut to finished size on the table saw.
9. Sand smooth.
10. Route the top edge of the top with whatever edgforming bit you like. \* DO NOT ROUTE THE SHELF!
11. On the shelf only, cut a 3/4" X 3/4" square off each corner to fit into the legs.

**II. Legs**

1. Faceglue two 3/4" thick by 1 1/2" wide leg pieces to make four leg blanks 1-1/2" X 1-1/2" X 20". Use straight finished wood.
2. Using the router table, route a 3/8" roundover on each edge.
3. Square cut one end of each leg on the miter box.
4. Measuring from the squared end, mark and cut the other end of each leg to 18-3/4".
5. Sand smooth.

**III. Rails**

1. Cut rails to 2" wide.\* You may wish to cut slightly oversized and joint to 2". Machine the two short rails together as one piece and cut into two short lengths after all machining is done.  
\* Make sure to use proper push blocks and safty procededure for the jointer. When jointing such narrow stock, have instructor check this operation before you begin.
2. Cut one end of each rail square on the miter box or table saw.
3. Measuring from the squared end, mark and cut two long rails at 12-1/2" and one extra long rail into two short rails at 6-1/2".
4. Drill a 3/8" hole 1" into the edge of each rail. Then drill a 9/64" pilot hole the rest of the way through. (The holes will

## PROJECT 2 CONTINUED - WOODWORKS FOR THE INTERMEDIATE - BEDSIDE TABLE

be used to attach the top to the table.) \* The hole should be approximately centered on each piece.

5. Elongate the hole on the upper side by coming in from the top with a drill and carefully wiggling the drill around to end up with a tapered hole. This will allow for a little movement in the table. Wood shrinks and expands with changes in temperature and humidity, and without an allowance for movement, the table could crack at some point in time.

### IV. Assembly

1. Take the four legs and cut a 3/4" dado 3/4" deep in two adjacent edges approximately 2" in from one end. \* These dados support the shelf.
2. Finish sand all pieces.
3. Use either dowels or biscuits to attach the rails to the legs. (Your instructor will explain these processes.) \* You must insert the shelf before you glue the rails to the legs.
4. Attach the top using four #6 X 1-5/8" drywall screws. \* The screws slide through the holes that you drilled in your rails.

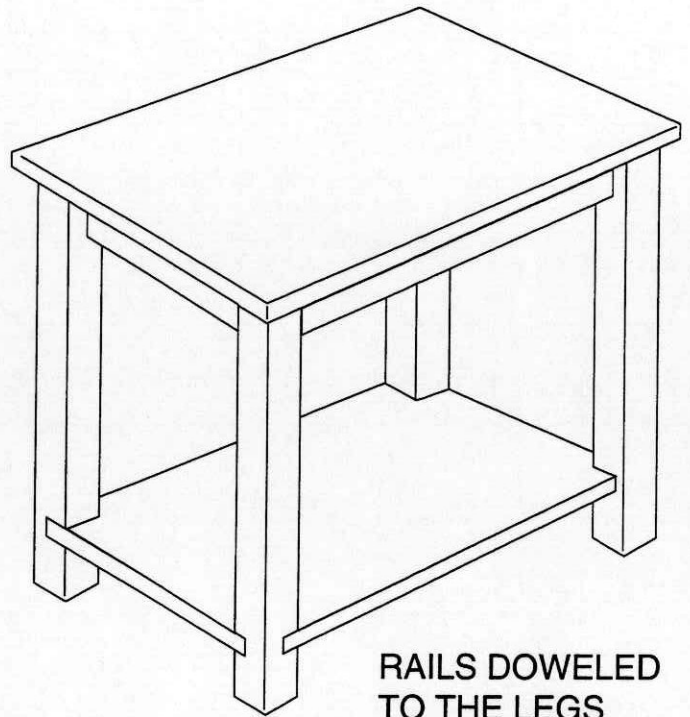
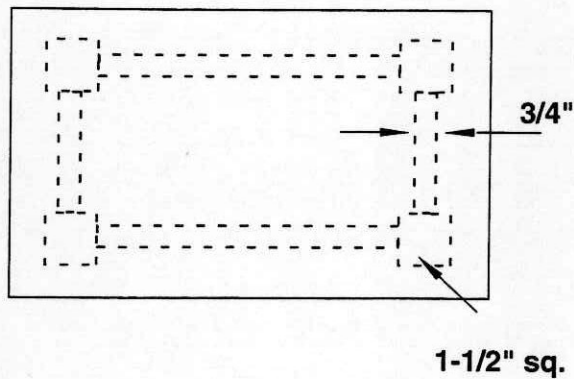
### V. Sanding, Staining and Finishing

1. Sand all surfaces and remove all evidence of sanding dust.
2. Pretreat soft woods with MINWAX® Wood Conditioner.
- 3a. Apply stain and finish: For a traditional look, select one MINWAX Wood Finish tone, or mix several together to create a custom tone. Apply following label directions. After a minimum of 8 hours, apply your first coat of MINWAX Fast-Drying Polyurethane, brushing in the direction of the grain.
- 3b. Apply stain and finish: For a contemporary look, apply MINWAX PASTELS™ Wood Stain, following label directions. Wait at least 24 hours and then apply MINWAX POLYCRYLIC® Protective Finish. Do not use MINWAX Fast-Drying Polyurethane, since polyurethane finishes tend to amber and alter the pastel color.

### TIPS SUMMARY

- If conditioning soft wood, don't forget the porous end grain; it may need an extra coat of wood conditioner to help the wood absorb stain evenly.
- Remove excess glue around joints before staining.
- MINWAX Wood Finish Natural can be added to lighten any of the MINWAX Wood Finish tones. To darken or shade a hue, apply additional coats of stain.
- If you're working in a cold or damp area, allow for longer drying times between coats.
- If using pastel wood stains, work in small sections and maintain a wet edge since pastel stains tend to dry quickly. If using a water clean-up finish like MINWAX POLYCRYLIC Protective Finish, do not use steel wool to smooth wood before or between coats. Strands of steel fiber caught in the wood can cause rust spots when coated with any water cleanup finish.

# BEDSIDE TABLE OR END TABLE



OAK  
CHERRY  
MAHOGANY

WALNUT  
WILLOW  
MAPLE

RAILS DOWELED  
TO THE LEGS

RAILS SCREWED  
TO THE TOP

SHELF FITS  
INTO DADOS  
IN THE LEGS

